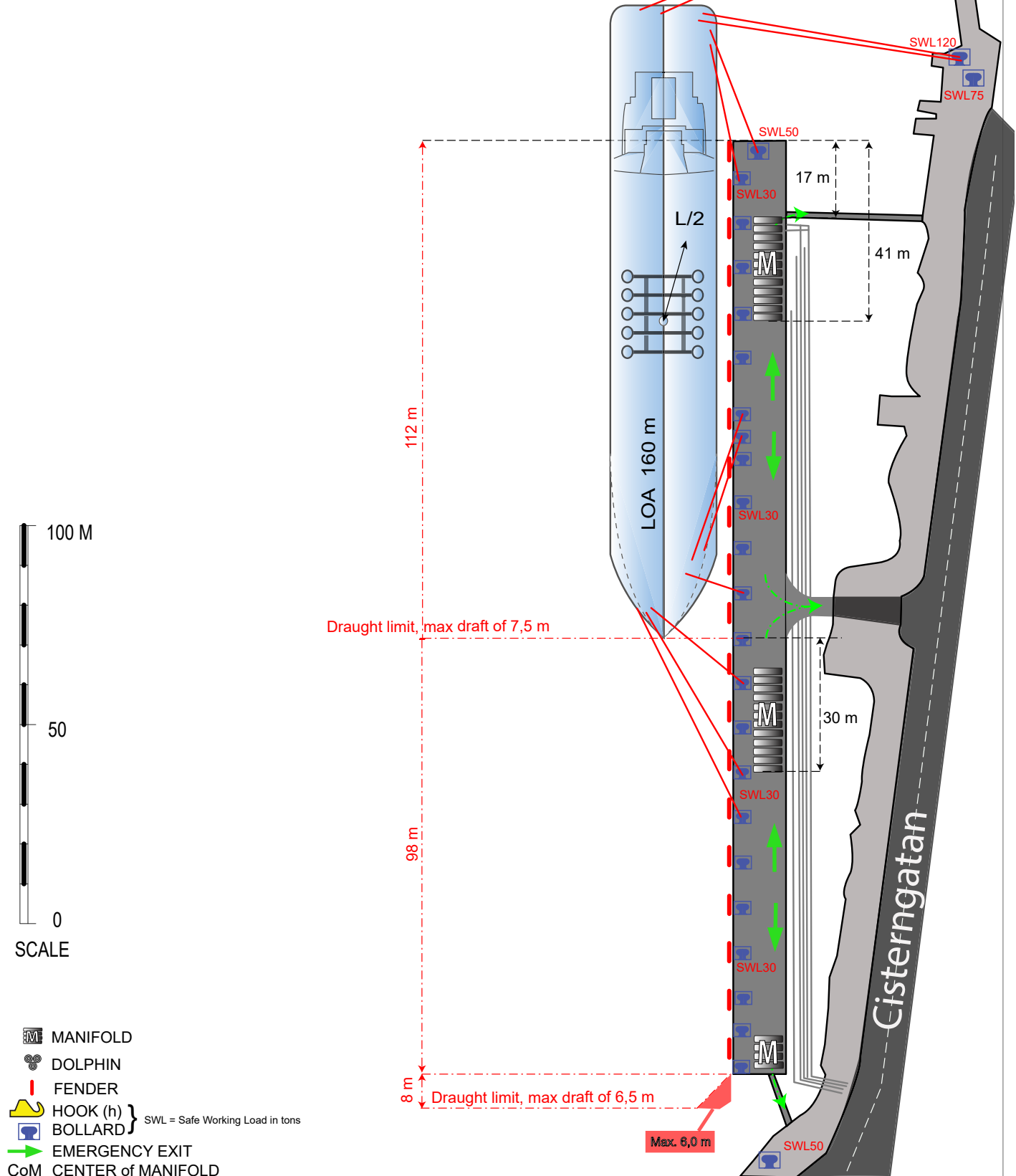


BERTH 508-509

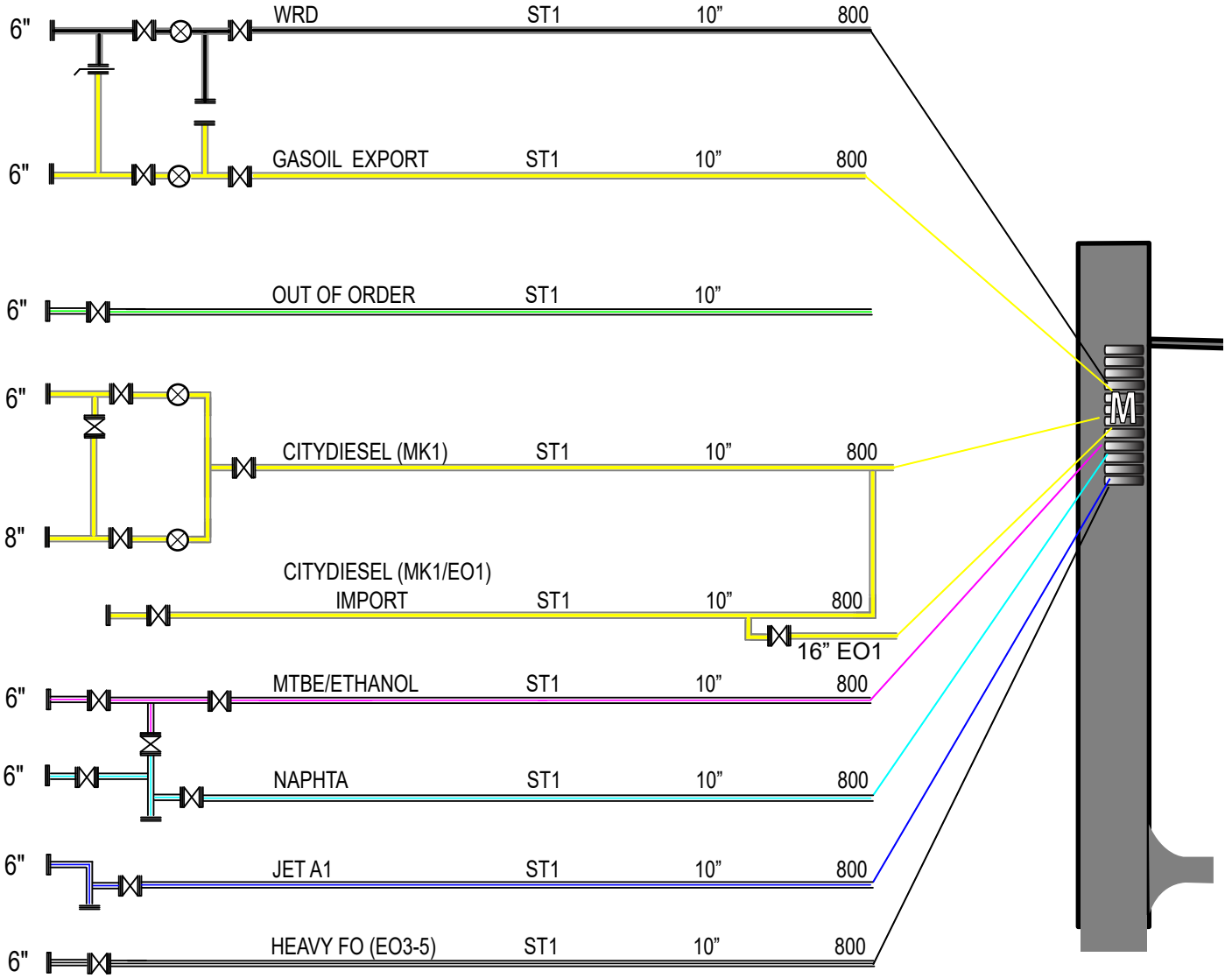
| | | | |
|---------------------|-------|------------------------------------|-------|
| MAX DRAUGHT: | 7,5 M | MAX MANIFOLD HEIGHT ABV SEA LEVEL: | N/A |
| MAX LOA: | 160 M | MAX VRU HEIGHT ABV SEA LEVEL: | N/A |
| MAX BREADTH: | N/A | QUAY DECK HEIGHT: | 2,2 M |
| UKC: | 0,5 M | MAX DIST. STERN TO CoM: | N/A |
| MIN PARALLELL BODY: | N/A | MAX DISPLACEMENT: | N/A |
| MIN FREEBOARD (MW): | N/A | MAX SPEED: | N/A |



Vessel with LOA >120 m one mooring line at each bollard only.





| | | | | | | | |
|--|-------|--------------------------------|---|-----------|--|--------------------------------|-------------------|
| | N | BERTH DIRECTION 041° / 221° | MOORING PLAN SKARVIK BERTH 508-509 | | | BERTH / DRAWING NO BERTH509 | APPROVED BY CL |
| | | REV. DATE / DATE 2019-09-15 | DRAWN MAFLOBE | SCALE | | | |

| HARD ARM No. | SIZE OF CONN. | PRODUCT | COMPANY | MAX PRESSURE BAR | MAX LOADING/DISCHARGING CAPACITY M3/H |
|--------------|---------------|---------|---------|------------------|---------------------------------------|
|--------------|---------------|---------|---------|------------------|---------------------------------------|



- ① = Hard arm No.
-  = Hard arm symbol
-  = Hose symbol

| | | | | | | |
|--|--|--------------------------------|---|------------------|------------|--------------------------------|
|  |  N | BERTH DIRECTION 041° / 221° | MANIFOLD ARRANGEMENT SKARVIK BERTH 508-509 | | | |
| | | | DATE 2018-06-01 | DRAWN MAFLOBE | SCALE / | BERTH / DRAWING NO BERTH509 |